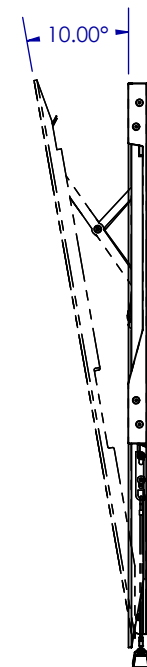
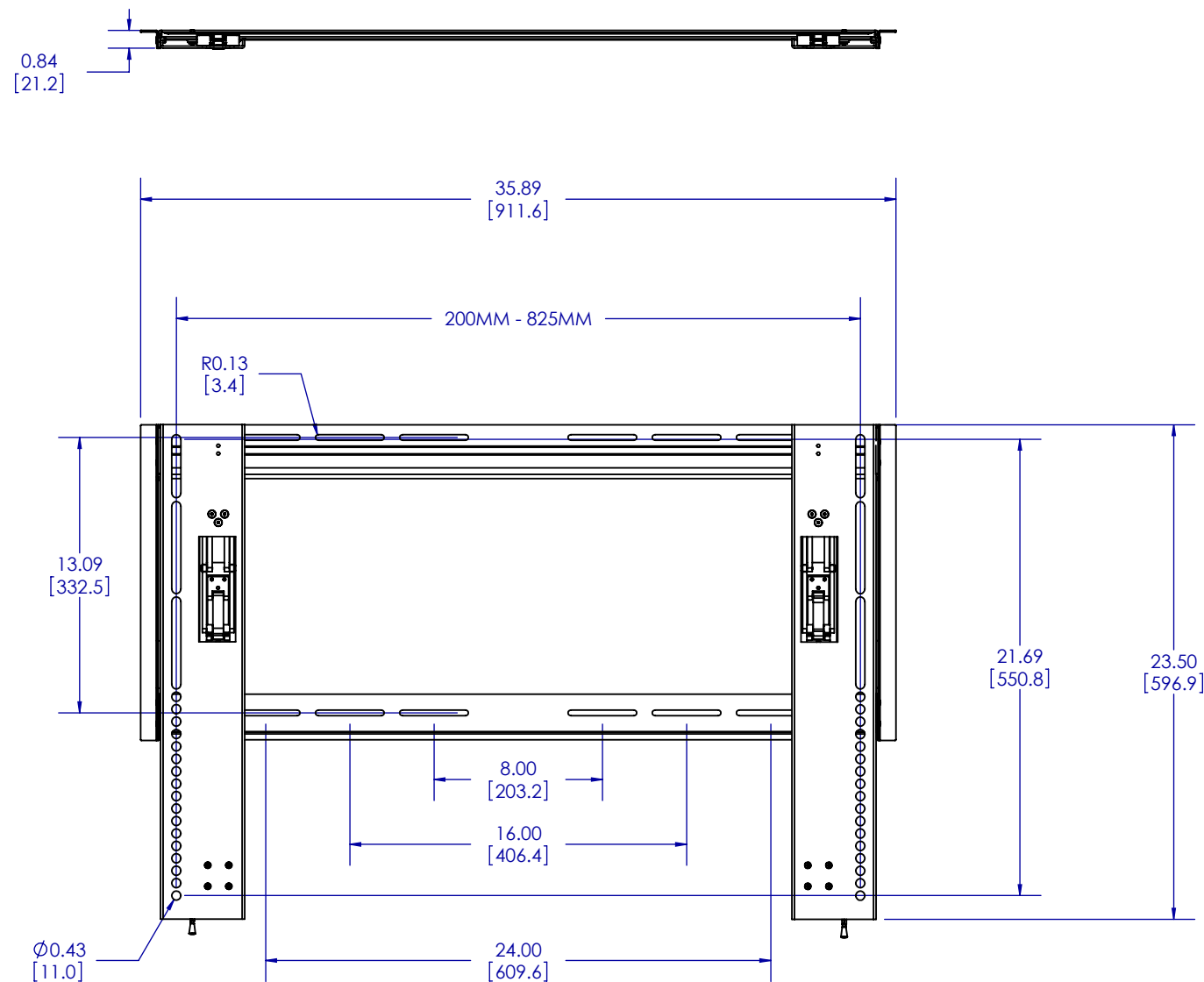


REVISIONS 修订版				
REV. 修订	DESCRIPTION 描述	DATE 日期	INITIALED 负责人字母缩写	ECO 工程变更
00	RELEASE FOR PRODUCTION	6/9/2009	NAS	5-956



<b>PROPRIETARY AND CONFIDENTIAL</b> THE INFORMATION CONTAINED IN THIS DRAWING IS THE SOLE PROPERTY OF SANUS SYSTEMS, A PRODUCT DIVISION OF MILESTONE AV TECHNOLOGIES. ANY REPRODUCTION IN PART OR AS A WHOLE WITHOUT THE WRITTEN PERMISSION OF SANUS SYSTEMS IS PROHIBITED. 专有且机密资料 本信息属 SANUS SYSTEMS 公司专属财产, 非经 SANUS SYSTEMS 书面许可, 严禁复制其中任何内容	NAME 姓名	DATE 日期	<b>SANUS</b> SYSTEMS DESCRIPTION 描述: <b>COSTCO LARGE TILT MOUNT</b>	
	ENGINEER 工程师	xxxx		
	DESIGNER 设计师	xxxx		
	APPROVED 批准	xxxx		NOTES 注释:
TEMPLATE REV 模板修订版: 06	SCALE 比例: 1:8	SHEET 1 OF 第 1	SIZER 寸 <b>B</b> DWG. NO. 图纸编号 <b>SXDP4</b> REV 修订 <b>00</b>	